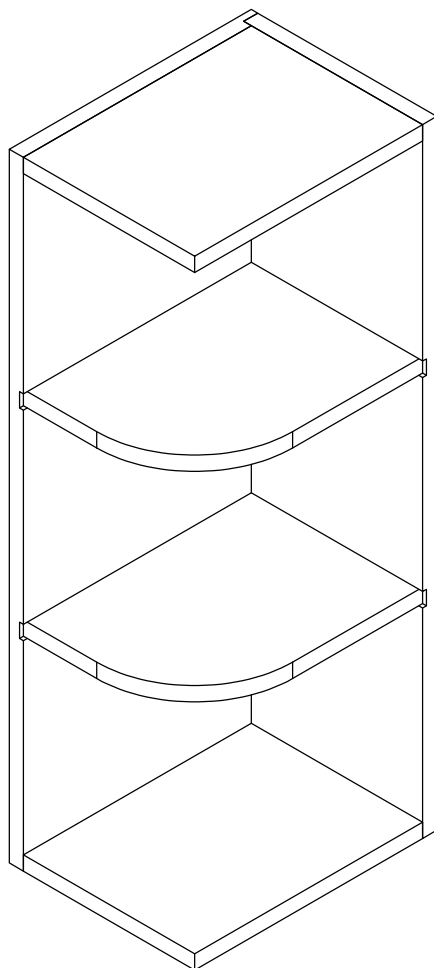


# Assembly Manual

## Wall

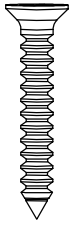
Cabinet



WES0930

WES0936

WES1242



16X

